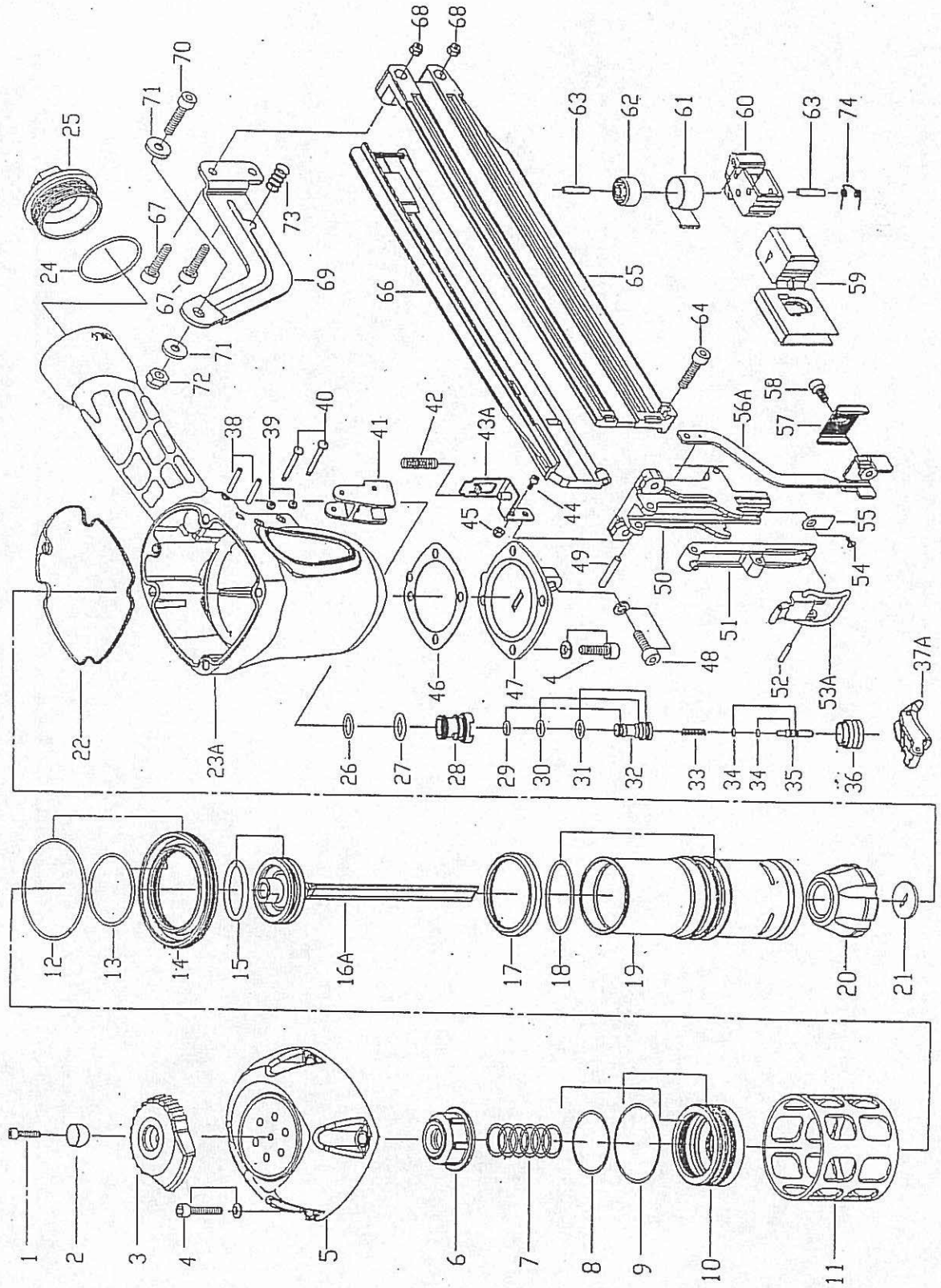


# Cadex

## PARTS LIST FOR TNS16851



# Cadex - PARTS LIST FOR TNS16851

Item No.	Part No.	Description	Q'ty	Item No.	Part No.	Description	Q'ty
1	32206140766	Hex.Soc.Hd.Bolt	1	41	20972840015	Contact Trip Guide	1
2	20790000001	Deflector Bushing	1	42	20791490001	Safety Spring	1
3	20790010015	Deflector	1	43A	20791482001	Upper Safety Lever Assy	1set
4	30106250866	Hex.Soc.Hd.Bolt	8	44	30104100166	Hex.Soc.Hd.Bolt	1
5	207900200XX	Cap	1	45	30604070066	Locknut	1
6	20750140017	Piston Stopper	1	46	20011070000	Gasket	1
7	20770160000	Spring	1	47	20111080166	Bottom	1
8	30700110000	O-Ring	1	48	30106200266	Hex.Soc.Hd.Bolt	2
9	30700111000	O-Ring	1	49	32304240001	Spring Pin	1
10	20750150000	Piston Head Valve	1	50	20791350066	Nose	1
11	20790180016	Cylinder Hold Down	1	51	20791340066	Door	1
12	30700112000	O-Ring	1	52	30804160001	Spring Pin	1
13	30700113000	O-Ring	1	53A	20791362101	Latch Door Assembly	1set
14	20750370000	Cylinder Spacer	1	54	30503060166	Hex.Soc.Hd.Bolt	1
15	30700121000	O-Ring	1	55	20791440000	Steel	1
16A	20790461001	Driver Assembly	1set	56A	20791511001	Lower Safety Lever Assy.	1set
17	20750250017	Cylinder Seal	1	57	20791520001	Safety Cover	1
18	30700075000	O-Ring	1	58	30105060166	Hex.Soc.Hd.Bolt	1
19	20790350000	Cylinder	1	59	20792130001	Pusher	1
20	20750470015	Bumper	1	60	20792360015	Latch	1
21	20790480001	Driver Guide	1	61	20792090000	Spiral Spring	1
22	20750130015	Cap Gasket	1	62	20792110016	Roller	1
23A	207506020XX	Body Assembly	1set	63	32104198012	Roller Pin	2
24	30700107000	O-Ring	1	64	30105250266	Hex.Soc.Hd.Bolt	1
25	207707X00XX	End Cap	1	65	20792050115	Magazine	1
26	30700079000	O-Ring	1	66	20792180015	Magazine Cap	1
27	30700081000	O-Ring	1	67	30105180166	Hex.Soc.Hd.Bolt	2
28	20750900074	Valve	1	68	30605080066	Locknut	2
29	30700002000	O-Ring	1	69	20792170066	Bracket	1
30	30700024000	O-Ring	1	70	30106220166	Hex.Soc.Hd.Bolt	1
31	30700071000	O-Ring	1	71	30900002001	Flat Washer	1
32	20750910074	Valve Plunger	1	72	30606100066	Locknut	1
33	20770960001	Spring	1	73	20792620001	Spring	1
34	30700080000	O-Ring	2	74	20792290001	Spring	1
35	20770920000	Plunger	1				
36	20770930016	Plunger Cap	1				
37A	20750952115	Trigger Assembly	1set				
38	30803240001	Spring Pin	2				
39	30700078000	Grommet	2				
40	20770890001	Trigger Pin	2				

TNS16851#40794010005

04/09/2004