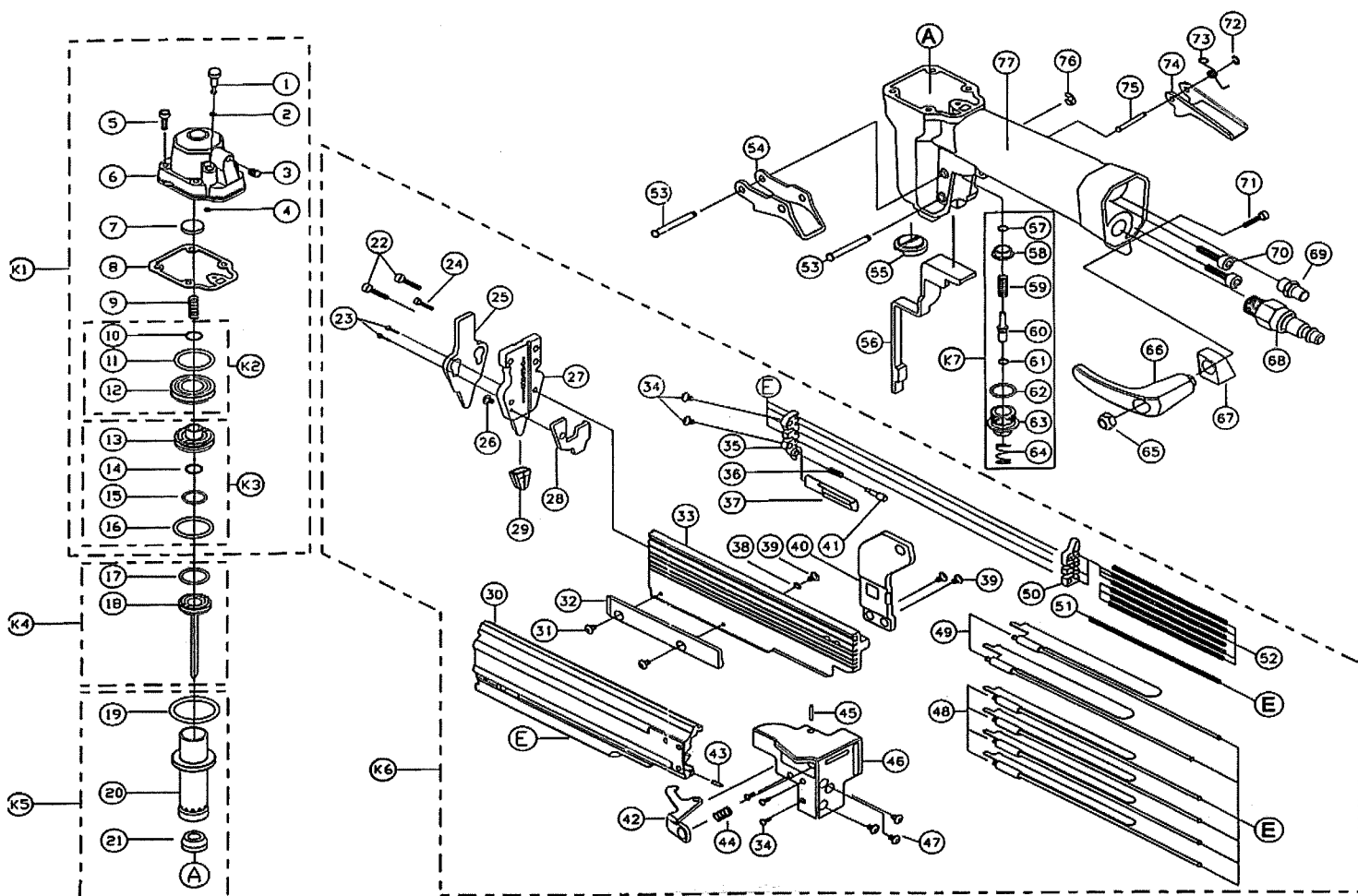


# EXPLODED DIAGRAM OF V1/23.35C



No.	Part No.	Description	PCS	No.	Part No.	Description	PCS	No.	Part No.	Description	PCS
1	51010	Air Spray Valve	1	29	12090-G	No Mar Tip	1	57	90120	O-Ring	1
2	90119	O-Ring	1	30	51120	Magazine Cover	1	58	51180	Valve Guide	1
3	99006	Bolt	1	31	93003	Flat HD. Screw	2	59	51220	Trigger Valve Cover Spring	1
4	90120	O-Ring	1	32	22160	Railing Plate	1	60	51190	Trigger Valve	1
5	91022-1	Bolt	4	33	51130	Magazine	1	61	90127	O-Ring	1
6	51020	Top Cap	1	34	98002	Bolt	5	62	90128	O-Ring	1
7	51030	Valve Bumper	1	35	22220	Spring Guide Seat A	1	63	51200	Trigger Valve Cover	1
8	51040	Gasket	1	36	22280	Lock Out Spring	1	64	51230	Trigger Valve Spring	1
9	51050	Cap Valve Spring	1	37	22260	Pusher	1	65	97001	Nylon Nut	1
10	90121	O-Ring	1	38	92002	Spring Washer	1	66	20180	Hook	1
11	90122	O-Ring	1	39	98010	Bolt	3	67	51210	Hook Set	1
12	51060	Collar	1	40	51140	Latch Bracket	1	68	94006	Plug	1
13	51070	Cap Valve	1	41	22290	Lock Out Pin	1	69	51213	Silencer	1
14	90093	O-Ring	1	42	12160	Latch	1	70	91001	Bolt	2
15	90094	O-Ring	1	43	96016	Pin	1	71	91012	Bolt	1
16	90092	O-Ring	1	44	12170	Latch Spring	1	72	95002	E-Ring	1
17	90049	O-Ring	1	45	96010	Pin	1	73	18390	Double Trigger Latch Spring	1
18	22020	Piston Unit	1	46	12201	Magazine Cap	1	74	51215	Double trigger	1
19	90126	O-Ring	1	47	98011	Bolt R.Head	3	75	18370	Pin	1
20	51081	Cylinder	1	48	22311-1	Pusher C	4	76	95001	E-Ring	1
21	22040	Bumper	1	49	22301-1	Pusher L	2	77	51171-1	Body	1
22	91007-1	Bolt	2	50	22240	Spring Guide Seat B	1	K1	51020-1	CAP ASS'Y	1
23	91009	Bolt	2	51	22270	Pusher Spring	1	K2	51060-1	COLLAR ASS'Y	1
24	91008	Bolt	1	52	28080	Pusher Spring	6	K3	51070-1	VALVE ASS'Y	1
25	12070	Guide Plate	1	53	51150	Trigger Pin	2	K4	22020-1	PISTON RAM ASS'Y	1
26	98012	Bolt	1	54	51160	Trigger	1	K5	51080-1	CYLINDER ASS'Y	1
27	28020	Nose	1	55	22370	Driver Guide	1	K6	28020-8	MAGAZINE UNIT	1
28	22090	Safety Cover	1	56	51214	Safety	1	K7	51200-1	TRIGGER VALVE ASS'Y	1