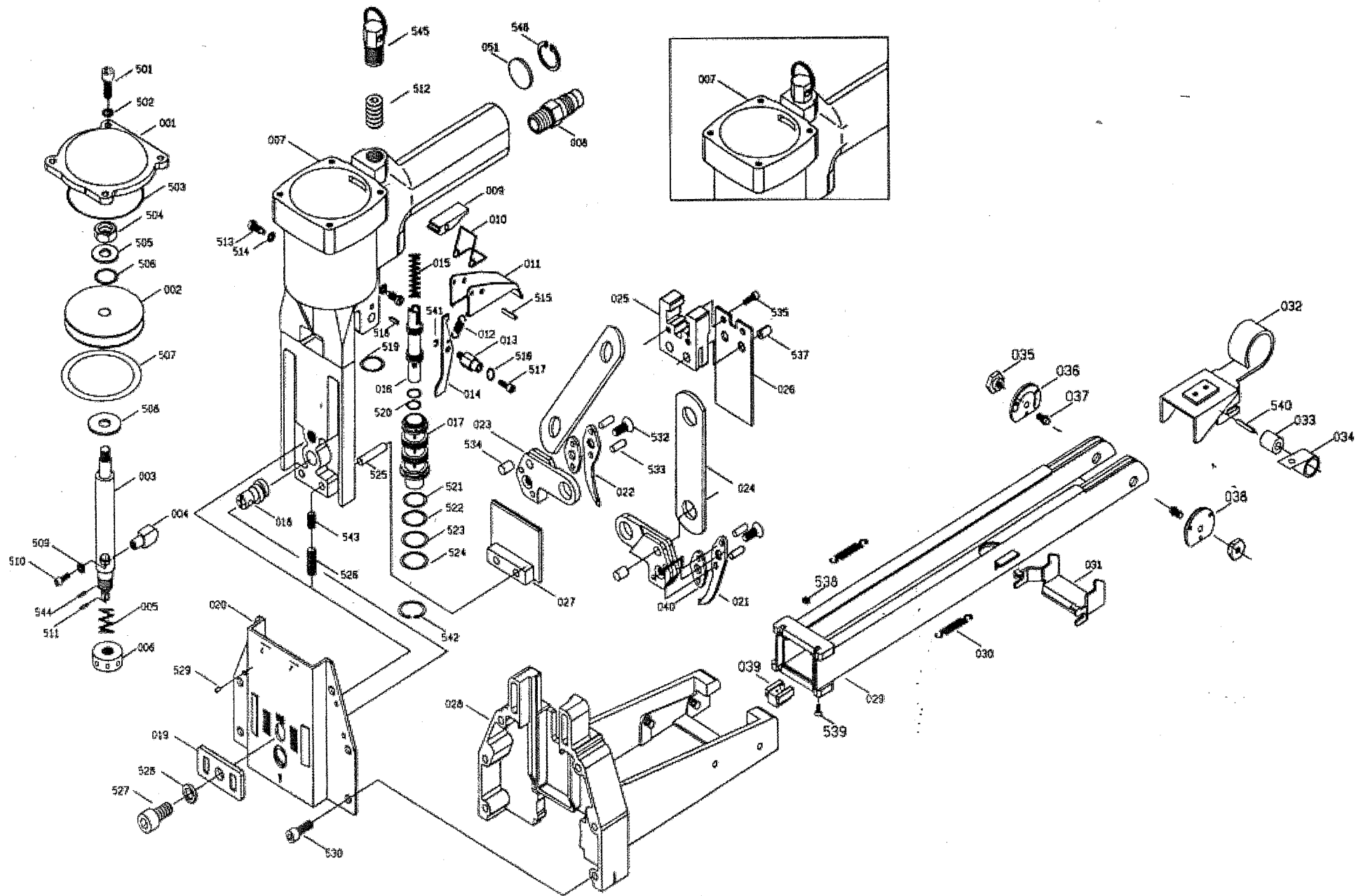


CA7437.18



MODEL:

ITEM	PARTS NO.	DESCRIPTION	Q'TY	SPEC.
001	A01200111	CAP	1	
002	A02800201	PISTON	1	
003	A02800301	PISTON ROD	1	
004	A00100401	BLOCK	1	
005	A00100501	SPRING	1	
006	A00100601	COLLAR	1	
007	A01200403	BODY	1	
009	A00100901	BLOCK	1	
010	A00101001	SPRING	1	
011	A00101101	TRIGGER	1	
012	A00101201	SPRING	1	
013	A00101301	ROD	1	
014	A00101402	TRIGGER'S CONTROL	1	
015	A00101501	SPRING	1	
016	A00101601	VALVE	1	
017	A00101702	TUBE	1	
018	A00101801	ADJUSTING ROD	1	
019	A00101901	ADJUSTING PLATE	1	
020	A01102501	FRONT PLATE	1	
021	A00102101	RIGHT TEETH	1	
022	A00102201	LEFT TEETH	1	
023	A00102301	TEETH SEAT	2	
024	A00102401	PLATE	2	
025	A00102501	BLOCK	1	
026	A00102601	DRIVER	1	CAA 35.18
026	A01201701	DRIVER	1	CCA 32.18
027	A00102703	COVER UNIT	1	
028	A01101401	MAGAZINE SEAT	1	
029	CAA-35-18-P7	MAGAZINE	1	CAA 35.18
029	CCA-32-18-P7	MAGAZINE	1	CCA 32.18
030	A01102401	SPRING	2	
031	A01102201	BRACKET	1	
032	A00103709	PUSHER UNIT	1	CAA 35.18
032	A00103710	PUSHER UNIT	1	CCA 32.18
033	A00103501	ROLLER	1	
034	A00103401	SPRING	1	
035	A00103101	ROD UNIT	2	
036	A00103903	RIGHT PUSHER GUIDE	1	
037	A00103203	ROD	2	
038	A00103904	LEFT PUSHER GUIDE	1	
039	A00105601	BRACKET	1	
040	A00105001	WASHER	2	
041	A03900301	HANDLE GLEEVE	1	
042	A03900401	WASHER	2	

ITEM	PARTS NO.	DESCRIPTION	Q'TY	SPEC.
043	BA11401	SILENCER	1	
501	BAC0604142	HEX.SOC.HD.BOLT	4	
503	BAB017537	O-RING	1	
504	BAD02061	HEX.NUT	1	
505	BAT03061	WASHER	1	
506	BAB017076	O-RING	1	
507	BAB057476	O-RING	1	
508	A00104101	WASHER	1	
509	BAE01042	SPRING WASHER	1	
510	BAC0404082	HEX.SOC.HD.BOLT	1	
511	BAA025014	SPRING PIN	1	
512	BAC0312122	HEX.SOC.HDLESS.BOLT	1	
513	A00104401	TRIGGER SCREW	2	
514	BAE01042	SPRING WASHER	2	
515	BAA030020	SPRING PIN	1	
516	BAE02042	OUTSIDE TEETH WASHER	1	
517	BAC0404102	HEX.SOC.HD.BOLT	1	
518	BAA030010	SPRING PIN	1	
519	BAB017124	O-RING	1	
520	BAB017076	O-RING	2	
521	BAB016145	O-RING	1	
522	BAB016150	O-RING	1	
523	BAB016155	O-RING	1	
524	BAB016160	O-RING	1	
525	A00104701	ROD	2	
526	BAC0306142	HEX.SOC.HDLESS.BOLT	1	
527	BAC0408162	HEX.SOC.HD.BOLT	1	
528	BAE01082	SPRING WASHER	1	
529	BAA030010	SPRING PIN	4	
530	BAC0605142	HEX.SOC.HD.BOLT	6	
532	BAC0205122	HEX.SOC.FLAT.COUNTER	2	
533	A00104501	PIN	4	
534	A00104602	PIN	2	
535	BAC0604102	HEX.SOC.HD.BOLT	2	
537	BAA060016	SPRING PIN	2	
538	BAD01041	LOCK NUT	1	
539	BAC0404202	HEX.SOC.HD.BOLT	1	
540	BAA040016	SPRING PIN	1	
541	BAF10252	E-RING	1	
542	BAF22002	C-RING	1	
543	BAG010602	HELL-COIL	1	
544	A00104901	PLASTIC PIN	1	
545	C0011201	COUNTER BALANCE HANGER	1	
545	BAF22002	C-RING	1	