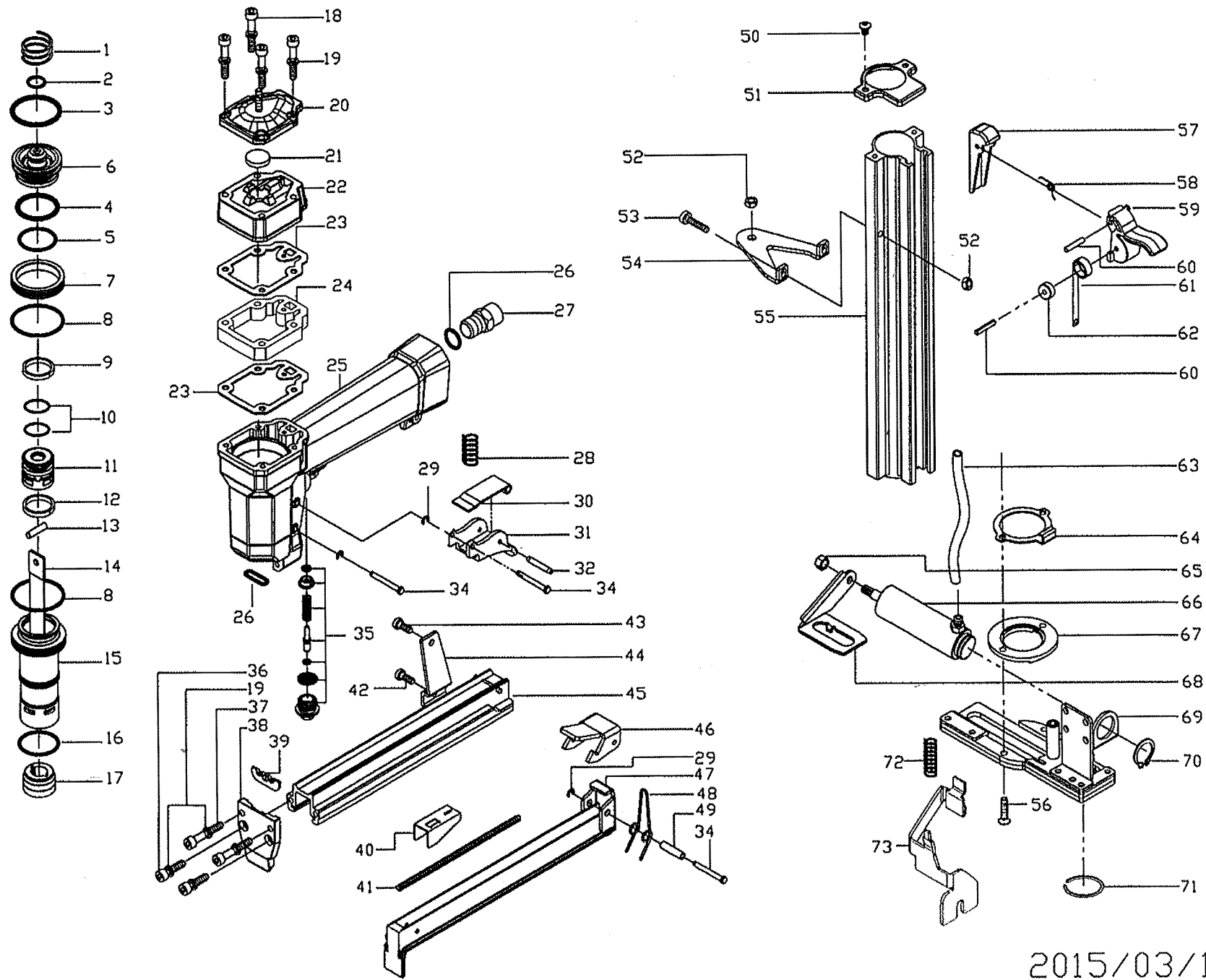


# EXPLODED DIAGRAM OF 8016 PCS



2015/03/10

# PART LIST OF 8016PCS

NO.	PART NO.	DESCRIPTION	UNIT	NO.	PART NO.	DESCRIPTION	UNIT	NO.	PART NO.
1	92.01X	SPRING	1	27	24.00	SILENCER	1	54	2041104G
2	00.12	O-RING	1	28	19916059	SPRING	1	55	2990425J
3	01.33	O-RING	1	29	09.02	ELASTIC RING	3	56	19914042
4	01.29	O-RING	1	30	2010504S	SECONDARY TRIGGER	1	57	PCM3272
5	00.26	O-RING	1	31	81.16	PRIMARY TRIGGER	1	58	PCM3273
6	19910024	VALVE ASSY.	1	32	19917017	PIN	1	59	PCM3274
7	45.04	RING	1	34	76.04	PIN	3	60	PCM3275
8	00.35	O-RING	2	35	50.03	TRIGGER VALVE ASSEMBLY	1	61	PCM3276
9	01.21.1	GASKET	1	36	04.16	SCREW	2	62	PCM3277
10	19913089	O-RING	2	37	04.20	SCREW	2	63	12101001
11	30.07.3	PISTON	1	38	2082202G	NOSE PLATE	1	64	PCM3279
12	01.21.3	GASKET	1	39	81.00.80	NOSE	1	65	19919004
13	14.18.1	PIN	1	40	70.00.80	PUSHER	1	66	58410
14	2052403F	DRIVER	1	41	93.02	SPRING	1	67	58250
15	11012001	CYLINDER	1	42	04.08	SCREW	1	68	58400
16	00.27	O-RING	1	43	04.12	SCREW	1	69	2041105C
17	32.05	BUMPER	1	44	72.03.3	SUPPORT	1	70	86007
18	04.35	SCREW	4	45	53.00.80	MAGAZINE COVER	1	71	58420-1
19	09.14	WASHER	8	46	80.08	LATCH	1	72	91.07
20	2061603B	EXHAUST DEFLECTOR	1	47	2041103K	MAGAZINE	1	73	2041801G
21	39.00	EXHAUST GASKET	1	48	90.07	SPRING	1		
22	22.07	HEAD	1	49	76.45	ROLL	1		
23	28.00	GASKET	2	50	19914018	HEX.SOC.HD.BOLT	2		
24	2061604B	ALUMINUM LUMP	1	51	2990451S	TUBE CAP COVER	1		
25	2130603D	BODY	1	52	19919006	NUT	2		
26	00.14	O-RING	3	53	19914033	SCREW	1		