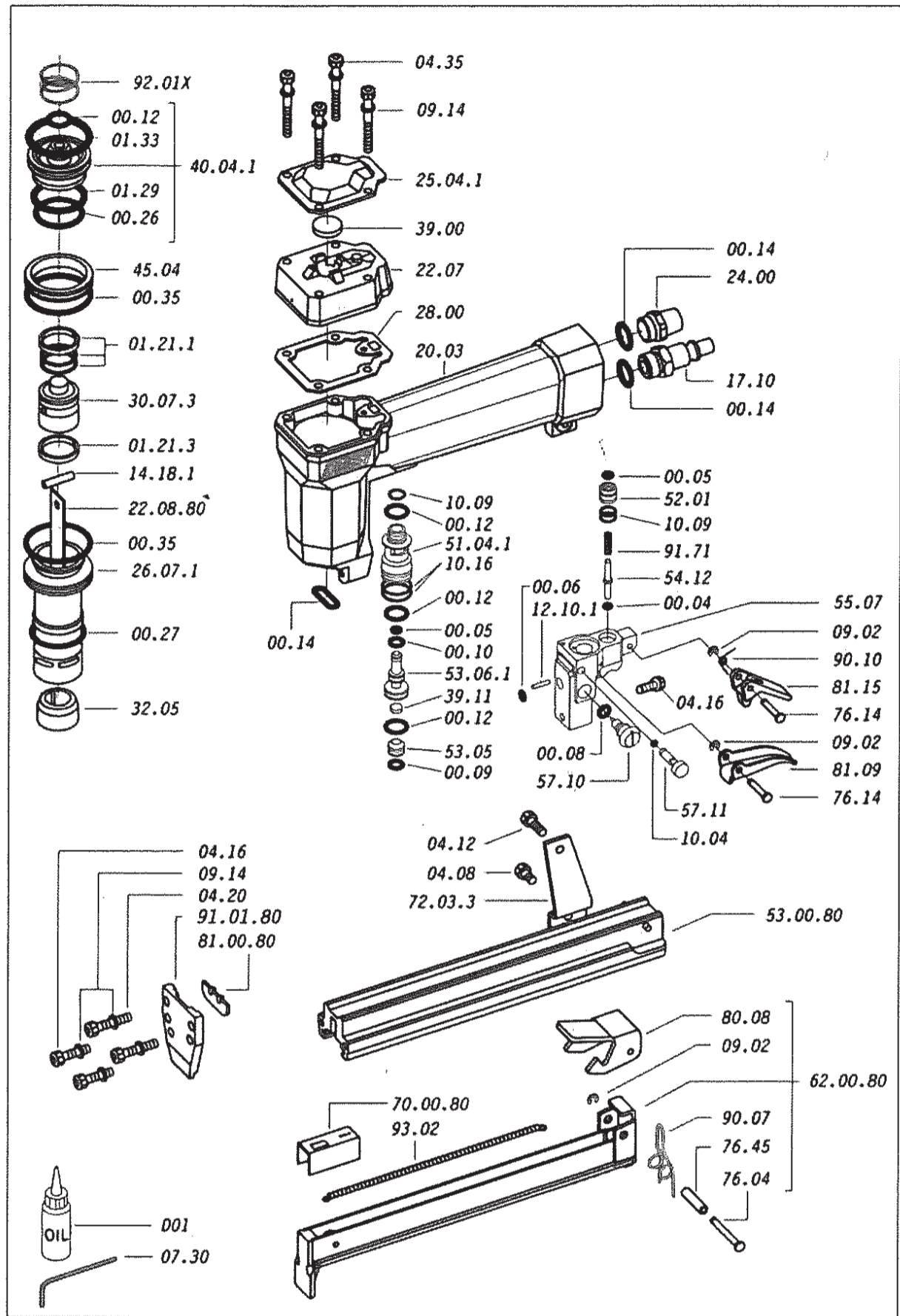


- 00.04 O-Ring
- 00.05 O-Ring
- 00.06 O-Ring
- 00.08 O-Ring
- 00.09 O-Ring
- 00.10 O-Ring
- 00.12 O-Ring
- 00.14 O-Ring
- 00.26 O-Ring
- 00.27 O-Ring
- 00.35 O-Ring
- 01.21.1 Gasket
- 01.21.3 Gasket
- 01.29 O-Ring
- 01.33 O-Ring
- 04.08 Screw
- 04.12 Screw
- 04.16 Screw
- 04.20 Screw
- 04.35 Screw
- 07.30 Hex. bar wrench
- 09.02 Elastic ring
- 09.14 Washer
- 10.04 O-Ring
- 10.09 O-Ring
- 10.16 O-Ring
- 12.10.1 Pin
- 14.18.1 Pin
- 17.10 Air plug 1/4"
- 20.03 Body
- 22.07 Head
- 24.00 Silencer
- 25.04.1 Exhaust deflector
- 26.07.1 Cylinder
- 28.00 Gasket
- 30.07.3 Piston
- 32.05 Bumper
- 39.00 Exhaust gasket
- 39.11 Valve gasket
- 40.04.1 Valve ass'y
- 45.04 Ring
- 51.04.1 Valve cylinder
- 52.01 Tiger valve bush
- 53.05 Piston
- 53.06.1 Valve piston
- 54.12 Trigger valve
- 55.07 Valve body
- 57.10 Regulator
- 57.11 Switch
- 72.03.3 Support
- 76.04 Pin
- 76.14 Pin
- 76.45 Pin
- 80.08 Trigger
- 81.09 Trigger
- 81.15 Trigger
- 90.07 Spring
- 90.10 Spring
- 91.71 Spring
- 92.01X Spring
- 93.02 Spring
- 22.08.80 Driver
- 53.00.80 Magazine
- 62.00.80 Slider
- 70.00.80 Pusher
- 81.00.80 Nose
- 91.01.80 Nose plate
- D01 Oiler



O-RINGS

