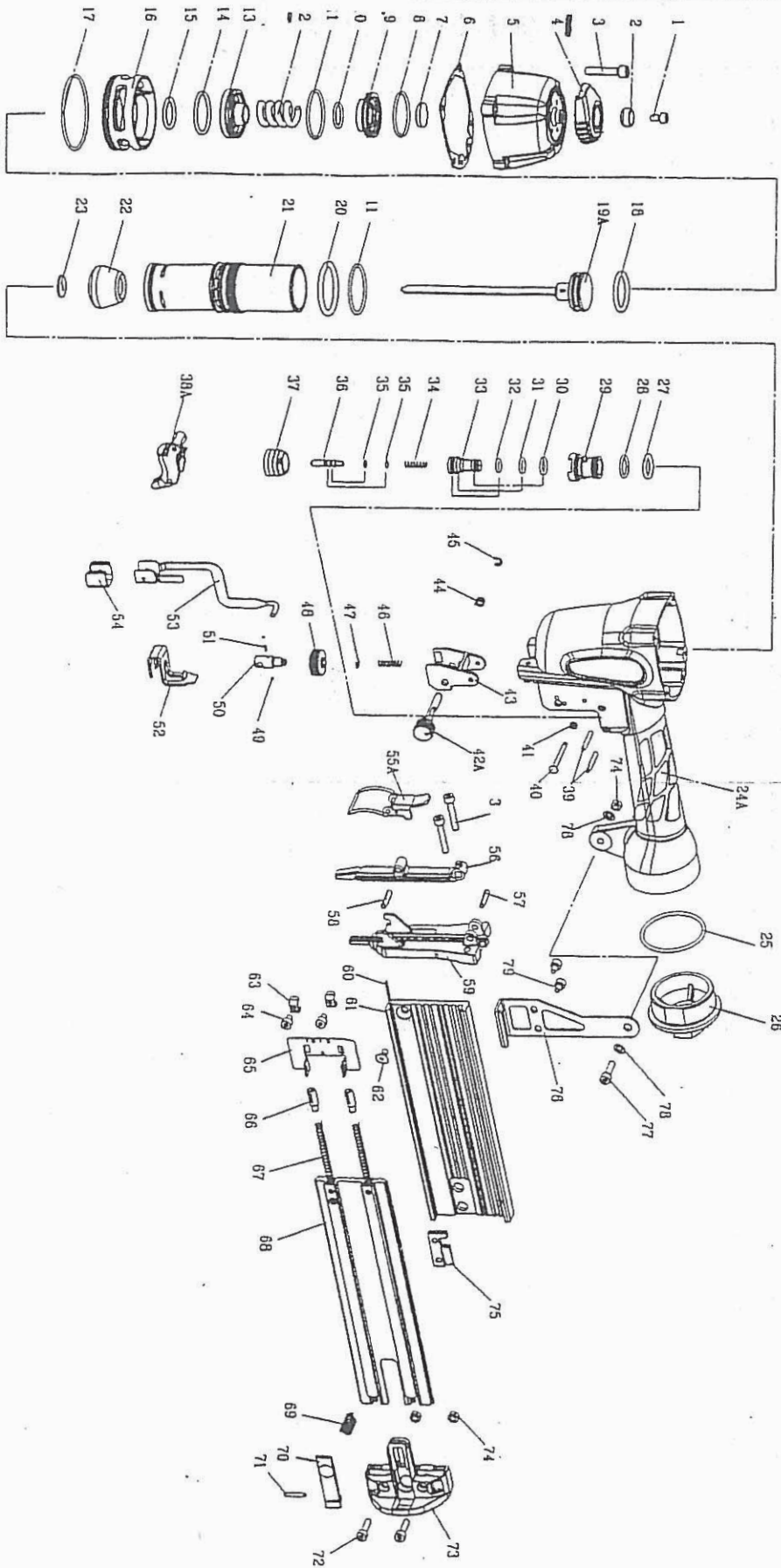


EXPLODED VIEW

BN18.50



Parts List BN18.50

Item No.	Part No.	Description	Q'ty	Item No.	Part No.	Description	Q'ty
1	30104080166	Hex. Soc. Hd. Bolt	1	46	21031490001	Spring, Safety	1
2	21030000001	Deflector Bushing	1	47	31303000001	E-Ring	1
3	30104200266	Hex. Soc. Hd. Bolt	6	48	21031600066	Adjusting Nut	1
4	21030010015	Deflector	1	49	31200200000	Steel Ball	2
5	210300200XX	Cap	1	50	21031500066	Adjusting Post	1
6	21030130000	Cap Gasket	1	51	20771630001	Adjusting Spring	1
7	21030190015	Seal	1	52	21031480066	Upper Safety Lever	1
8	30700123000	O-Ring	1	53	21031510066	Lower Safety Lever	1
9	21030140016	Piston Stopper	1	54	21031580015	Rubber Pad	1
10	30700125000	O-Ring	1	55A	21031362166	Door Latch Assembly	1set
11	30700120000	O-Ring	2	56	21031340166	Door	1
12	21030160000	Spring	1	57	30804160001	Spring Pin	1
13	21030150016	Piston, Head Valve	1	58	30803165001	Spring Pin	1
14	30700126000	O-Ring	1	59	21031350166	Nose	1
15	30700127000	O-Ring	1	60	21032060001	Nail Guide Liner	1
16	21030340016	Cylinder Spacer	1	61	21032050106	Magazine	1
17	30700044000	O-Ring	1	62	30505100166	Hex. Soc. Hd. Bolt	1
18	30700119000	O-Ring	1	63	20142230001	Spring Stopper	2
19A	21030461000	Driver Assembly	1set	64	30104060166	Hex. Soc. Hd. Bolt	2
20	30700013000	O-Ring	1	65	20252130001	Pusher	1
21	21030350000	Cylinder	1	66	20252240016	Spring Lock	2
22	21030470015	Bumper	1	67	20142210001	Spring	2
23	21030480001	Driver Guide	1	68	21032200106	Magazine Cover	1
24A	210306020XX	Body Assembly	1set	69	20032330001	Spring	1
25	30700107000	O-Ring	1	70	20032280066	Latch	1
26	207707X00XX	End Cap	1	71	30803100001	Pin	1
27	30700079000	O-Ring	1	72	30104140266	Hex. Soc. Hd. Bolt	2
28	30700081000	O-Ring	1	73	21032180015	Magazine Cap	1
29	20770900016	Valve	1	74	30604070066	Locknut	3
30	30700002000	O-Ring	1	75	20032220001	Magazine Cover Stopper	1
31	30700003000	O-Ring	1	76	21032170066	Bracket	1
32	30700071000	O-Ring	1	77	30104180166	Hex. Soc. Hd. Bolt	1
33	20770910016	Valve Plunger	1	78	30900010001	Flat Washer	2
34	20770960001	Spring	1	79	30104080266	Hex. Soc. Hd. Bolt	2
35	30700080000	O-Ring	2				
36	20770920000	Plunger	1				
37	20770930016	Plunger Cap	1				
38A	20750952115	Trigger Assembly	1set				
39	30803240001	Spring Pin	2				
40	20460890001	Trigger Pin	1				
41	30700078000	Grommet	1				
42A	20940992015	Adjusting Button Assy	1set				
43	21032840015	Contact Trip Guide	1				
44	20941010001	Adjusting Spring	1				
45	31304000001	E-Ring	1				