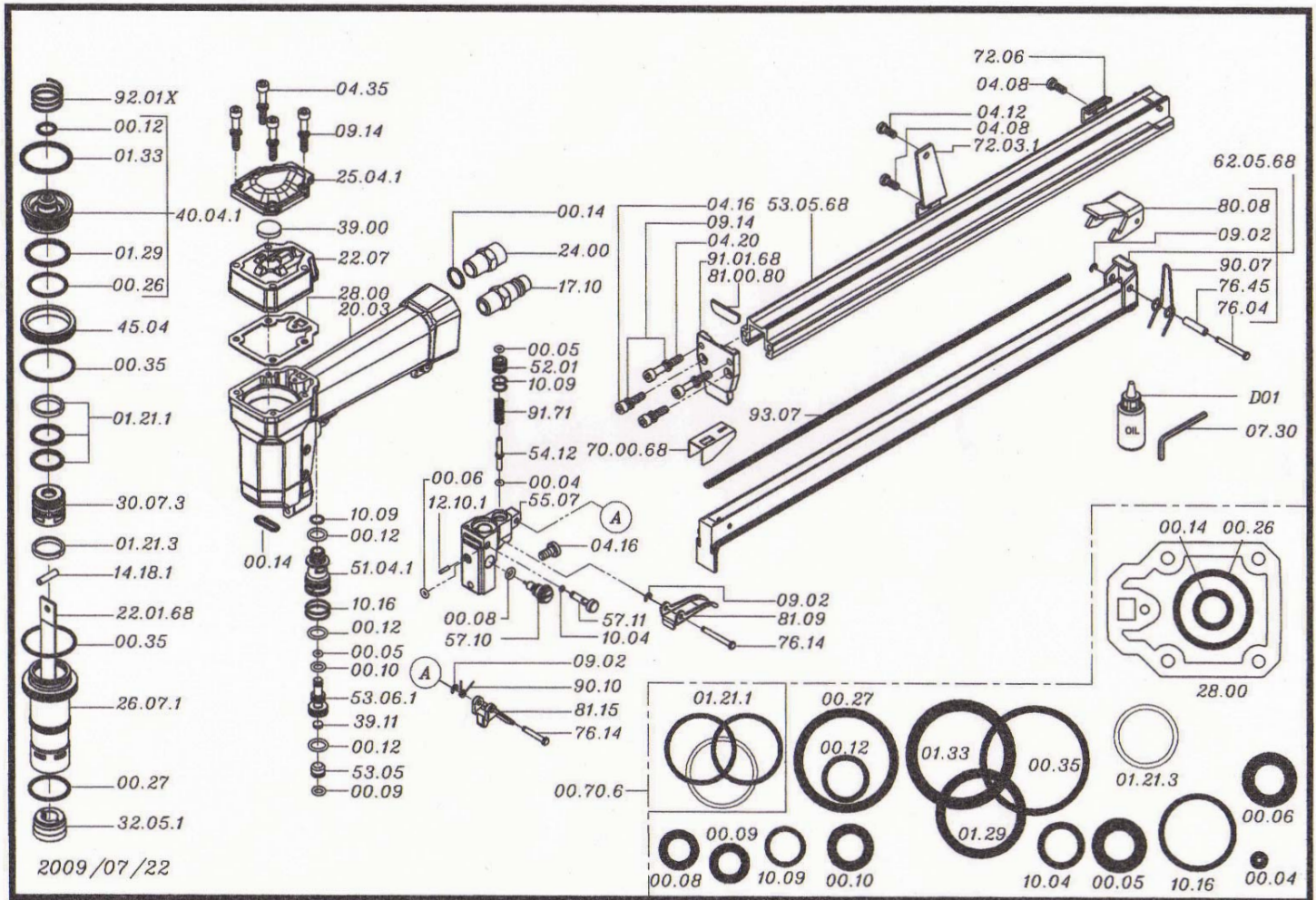


Cadex

PARTS LIST FOR CS14.16CLV



NO.	PART NO.	DESCRIPTION	QTY.	NO.	PART NO.	DESCRIPTION	QTY.	NO.	PART NO.	DESCRIPTION	QTY.
1	00.04	O-RING	1	24	10.09	O-RING	2	47	55.07	VALVE BODY	1
2	00.05	O-RING	2	25	10.16	O-RING	2	48	57.10	REGULATOR	1
3	00.06	O-RING	1	26	12.10.1	PIN	1	49	57.11	SWITCH	1
4	00.08	O-RING	1	27	14.18.1	PIN	1	50	72.03.1	SUPPORT	1
5	00.09	O-RING	1	28	17.10	AIR PLUG	1	51	72.06	SLIDER-STOP	1
6	00.10	O-RING	1	29	20.03	BODY	1	52	76.04	PIN	1
7	00.12	O-RING	4	30	22.07	HEAD	1	53	76.14	PIN	2
8	00.14	O-RING	3	31	23.04	END CAP	1	54	76.45	PIN	1
9	00.26	O-RING	1	32	24.00	SILENCER	1	55	80.08	TRIGGER	1
10	00.27	O-RING	1	33	25.04.1	EXHAUST DEFLECTOR	1	56	81.09	TRIGGER	1
11	00.35	O-RING	2	34	26.07.1	CYLINDER	1	57	81.15	TRIGGER	1
12	01.21.1	GASKET	1	35	28.00	GASKET	1	58	90.07	SPRING	1
13	01.21.3	GASKET	1	36	30.07.3	PISTON	1	59	90.10	SPRING	1
14	01.29	O-RING	1	37	32.05.1	BUMPER	1	60	91.71	SPRING	1
15	01.33	O-RING	1	38	39.00	EXHAUST GASKET	1	61	92.01X	SPRING	1
16	04.08	SCREW	2	39	39.11	VALVE GASKET	1	62	93.07	SPRING	1
17	04.12	SCREW	1	40	40.04.1	VALVE ASSY	1	63	22.01.68	DRIVER	1
18	04.16	SCREW	5	41	45.04	RING	1	64	53.05.68	MAGAZINE	1
19	04.20	SCREW	4	42	51.04.1	VALVE CYLINDER	1	65	62.05.68	SLIDER	1
20	04.35	SCREW	4	43	52.01	TIGER VALVE BUSH	1	66	70.00.68	PUSHER	1
21	09.02	ELASTIC RING	3	44	53.05	PISTON	1	67	81.00.80	NOSE	1
22	09.14	WASHER	8	45	53.06.1	VALVE PISTON	1	68	91.01.68	NOSE PLATE	1
23	10.04	O-RING	1	46	54.12	TRIGGER VALVE	1	69	00.70.6	O-RING KIT	1