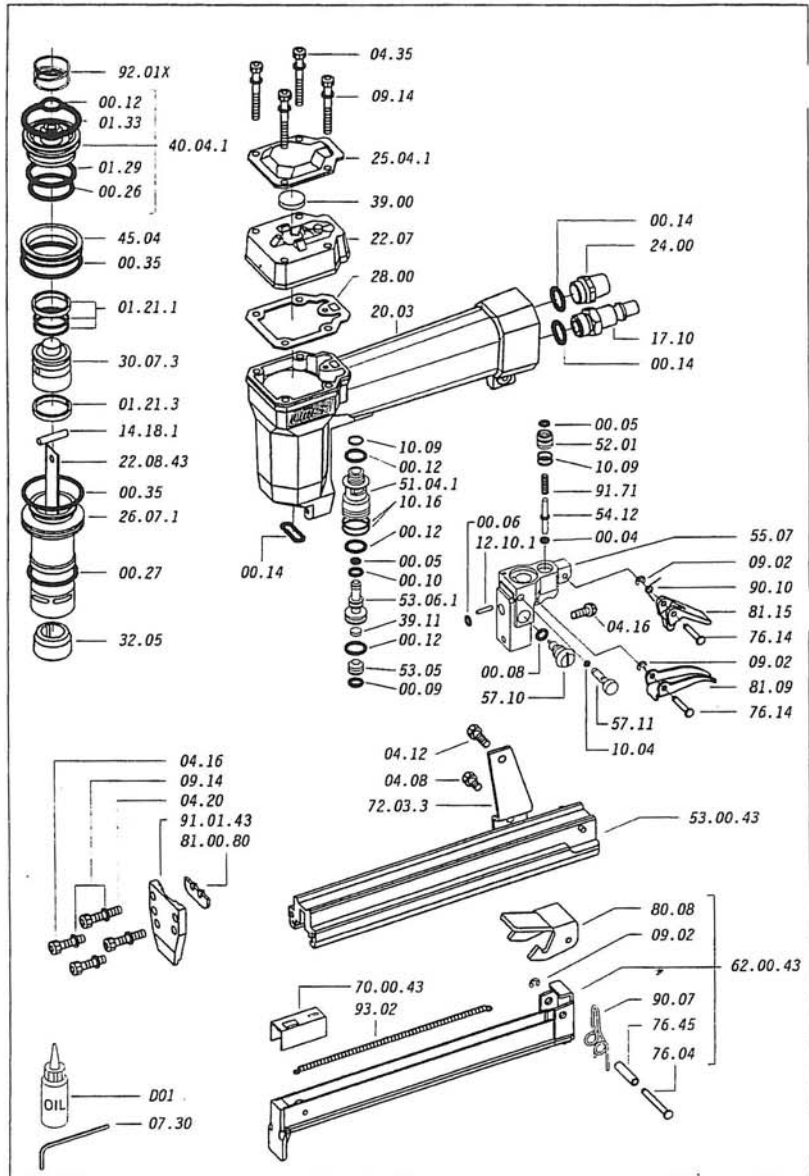
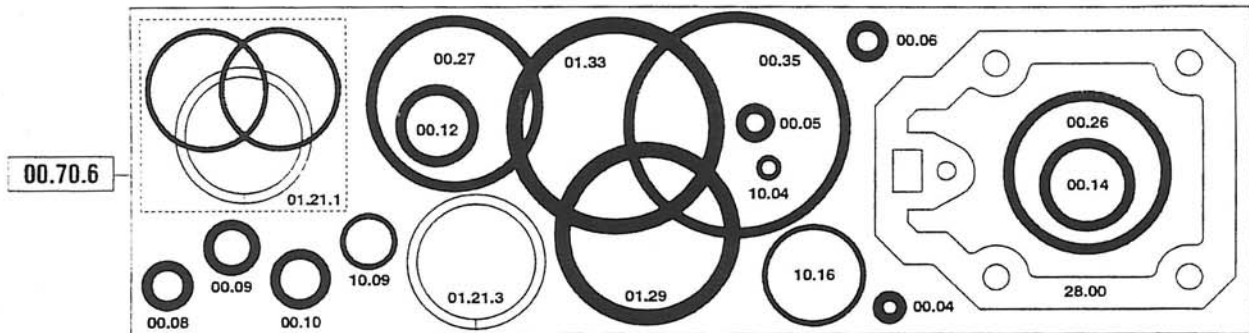


PART NO.	DESCRIPTION
00.04	O-Ring
00.05	O-Ring
00.06	O-Ring
00.08	O-Ring
00.09	O-Ring
00.10	O-Ring
00.12	O-Ring
00.14	O-Ring
00.26	O-Ring
00.27	O-Ring
00.35	O-Ring
01.21.1	Gasket
01.21.3	Gasket
01.29	O-Ring
01.33	O-Ring
04.08	Screw
04.12	Screw
04.16	Screw
04.20	Screw
04.35	Screw
07.30	Hex. bar wrench
09.02	Elastic ring
09.14	Washer
10.04	O-Ring
10.09	O-Ring
10.16	O-Ring
12.10.1	Pin
14.18.1	Pin
17.10	Air plug 1/4"
20.03	Body (to specify the colour)
22.07	Head (to specify the colour)
24.00	Silencer
25.04.1	Exhaust deflector
26.07.1	Cylinder
28.00	Gasket
30.07.3	Piston
32.05	Bumper
39.00	Exhaust gasket
39.11	Valve gasket
40.04.1	Valve ass'y
45.04	Ring
51.04.1	Valve cylinder
52.01	Tiger valve bush
53.05	Piston
53.06.1	Valve piston
54.12	Trigger valve
55.07	Valve body
57.10	Regulator
57.11	Switch
72.03.3	Support
76.04	Pin
76.14	Pin
76.45	Pin
80.08	Trigger
81.09	Trigger
81.15	Trigger
90.07	Spring
90.10	Spring
91.71	Spring
92.01X	Spring
93.02	Spring
22.08.43	Driver
53.00.43	Magazine
62.00.43	Slider
70.00.43	Pusher
81.00.80	Nose
91.01.43	Nose plate
D01	Oiler



### O-RINGS



## MODEL # CS71.16V